

Mini-OTE 400 Series: New Product

Global Communication

CommScope is pleased to introduce the new Optical Termination Enclosure, Mini-OTE 400 series. This new series is being launched as part of the new generation OTE portfolio, inclusive of four series: OTE2, Mini-OTE 200, Mini-OTE 300 and Mini-OTE 400, all available globally. More than the versatility of each series, by creating a comprehensive OTE portfolio, CommScope offers customers total flexibility to choose the right series that works best in their specific application.

CommScope's Mini-OTE 400 is a compact and field-friendly terminal allowing the feeder cable to be field installed in FTTX architectures. The terminal is compatible with pre-connectorized hardened full-size or mini-size DLX® drops, enabling quick deployment in brown field and green field applications.

Especially in locations with restricted space and hand hole applications, the flexible hardened adapter drops are easy to clean and connect without removing the terminal from its installed position. The factory-terminated hardened adapters are designed to withstand the harsh outside plant environment.



- Hardened shell and re-entrable with a living hinge to protect from UV rays, moisture, dust, chemicals and extreme temperatures
- Available with 2, 4 or 8 adapter ports, full-size or mini-size DLX® hardened adapters; the hardened adapter drops have a pre-defined length for easy identification and management
- Gel sealed input port for express and branch-off cables for in-line installations
- Includes two factory integrated splice trays and a fiber storage tray; slack storage is available beneath the splicing trays
- Splice tray design includes locking tabs to mate with CommScope's field installable splitters in 1:2, 1:4 and 1:8 split ratios
- Primarily designed for a butt splice configuration in pedestal and hand hole applications, the terminal can be positioned in various pedestal designs using an accessory bracket kit
- Two entry/exit cable ports accommodate up to 72F loose tube micro cable*

***CommScope A2 Microfiber Cables:**

810009303 B-24-LN-8G-F12NS.16G 810009304 B-48-LN-8G-F12NS.16G
 810009305 B-60-LN-8G-F12NS.16G 810009306 B-72-LN-8G-F12NS.16G

Ordering Information:

Compatible with full-size adapters			Ports 1 - 4	Ports 5 – 8
Model Number	No. of Ports	Splitter Type	Drop Length	Drop Length
OTE400-02MH-NN-EXT02	2 port	N/A	8"/203mm ± .79"/20mm	N/A
OTE400-04MH-NN-EXT02	4 port	N/A	8"/203mm ± .79"/20mm	N/A
OTE400-08MH-NN-EXT02	8 port	N/A	8"/203mm ± .79"/20mm	12" 304mm ± .79"/20mm

Compatible with miniaturized DLX® adapters			Ports 1 - 4	Ports 5 – 8
Model Number	No. of Ports	Splitter Type	Drop Length	Drop Length
OTE400-02MX-NN-EXT02	2 port	N/A	8"/203mm ± .79"/20mm	N/A
OTE400-04MX-NN-EXT02	4 port	N/A	8"/203mm ± .79"/20mm	N/A
OTE400-08MX-NN-EXT02	8 port	N/A	8"/203mm ± .79"/20mm	12"/304mm ± .79"/20mm

Accessories:

Model Number	Description
OTE-M-STRAND-BRKT	Strand Mount Bracket Kit
OTE-M-STRAND-CLAMP	Strand Clamp and Hardware

Accessories Examples:

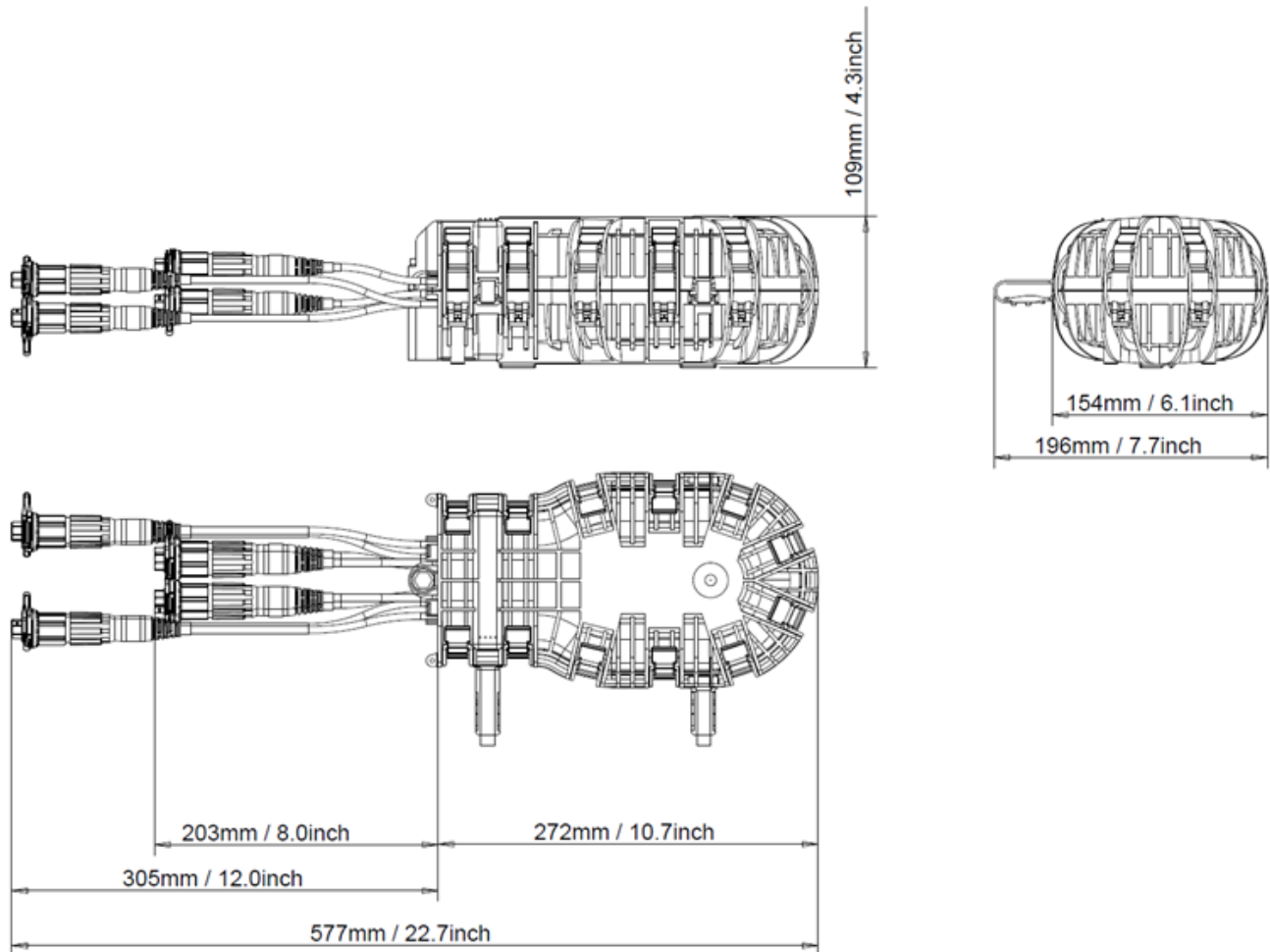
Strand Mount Bracket Kit



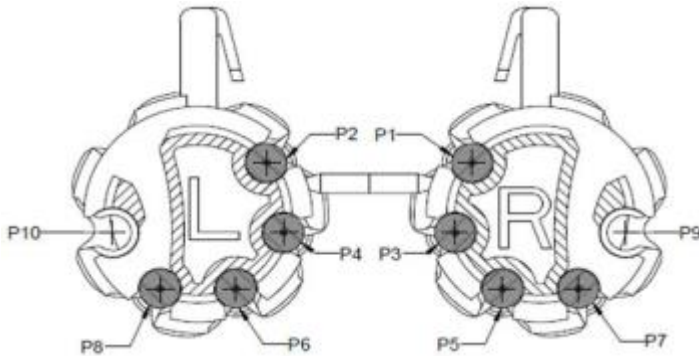
Strand Clamp Assembly Kit



Terminal Dimensions: 10.7 x 7.7 x 4.3in (271.8 x 195.6 x 109.2mm)



Sample Configuration



Ports 1 through 8 – Drops and/or Port Plugs

Ports 9 and 10 – Feeder, Stranded Loose Tube Micro Cable

Ordering Information:

Please visit the eCatalog at the link provided below:

[CLICK HERE Mini-OTE 400 Series eCAT](#)

Additional Resources:

Please visit our OTE Solutions page for additional information and tools to help you select the right product for your network application. [CLICK HERE OTE Solutions](#)

Check out this short [Video](#) and learn step-by-step to create a custom, printable catalog on commscope.com.